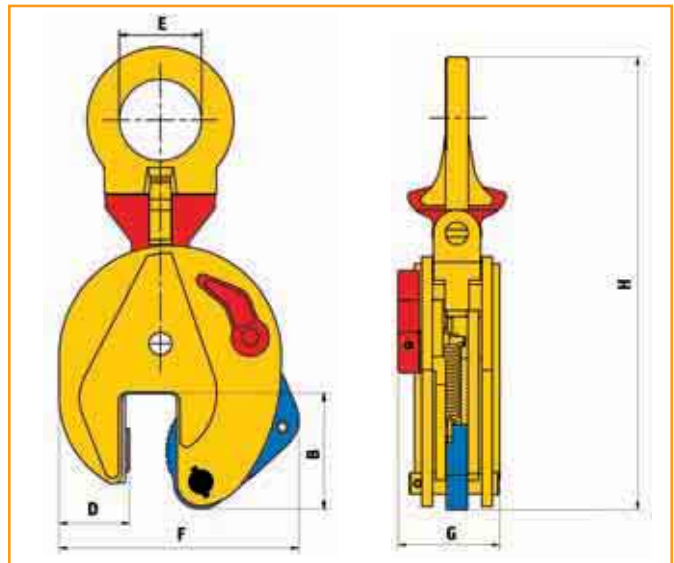


TPS-J

Per trasporto
verticale laterale

TPS-J

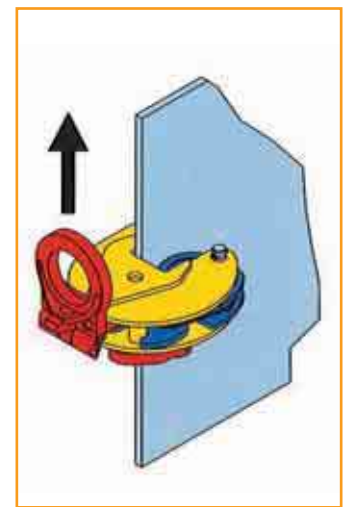
Wider angle to
lift plates from
any position



STANDARD

Durezza superficie lamiera max. HRC35 / Plate surface hardness max. HRC35

Articolo Article	Codice Code	Portata Kg Capacity Kg	Apertura mm Opening mm	Dimensioni mm - Dimensions mm						Peso Kg Weight Kg	
				B	D	E	F	G	H		
TPSJ 3/4	206938	750	0 - 15	51	34	30	110	44	210	2	1
TPSJ 1 1/2	206945	1500	0 - 20	90	60	67	170	60	370	6	1
TPSJ 3	206952	3000	0 - 30	105	64	75	235	90	440	13	1
TPSJ 5	208468	5000	0 - 50	115	68	80	235	100	480	21	1
TPSJ 7 1/2	208093	7500	0 - 45	134	77	88	262	115	600	37	1
TPSJ 10	208109	10000	50 - 90	185	100	90	480	125	700	50	1



APERTURE SPECIALI (SU RICHIESTA)
SPECIAL OPENING (ON REQUEST)

Durezza superficie lamiera max. HRC35 / Plate surface hardness max. HRC35

Articolo Article	Codice Code	Portata Kg Capacity Kg	Apertura mm Opening mm	Dimensioni mm - Dimensions mm						Peso Kg Weight Kg	
				B	D	E	F	G	H		
TPSJ-AS 3/4	206969	750	15 - 30	55	32	30	120	50	210	2	1
TPSJ-AS 1 1/2	206976	1500	20 - 40	90	55	67	195	70	370	7	1
TPSJ-AS 3	207010	3000	25 - 50	105	60	75	235	100	440	15	1
TPSJ-AS 4 1/2	208116	4500	25 - 50	105	60	75	235	100	440	15	1